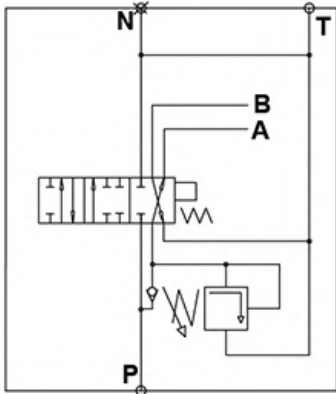
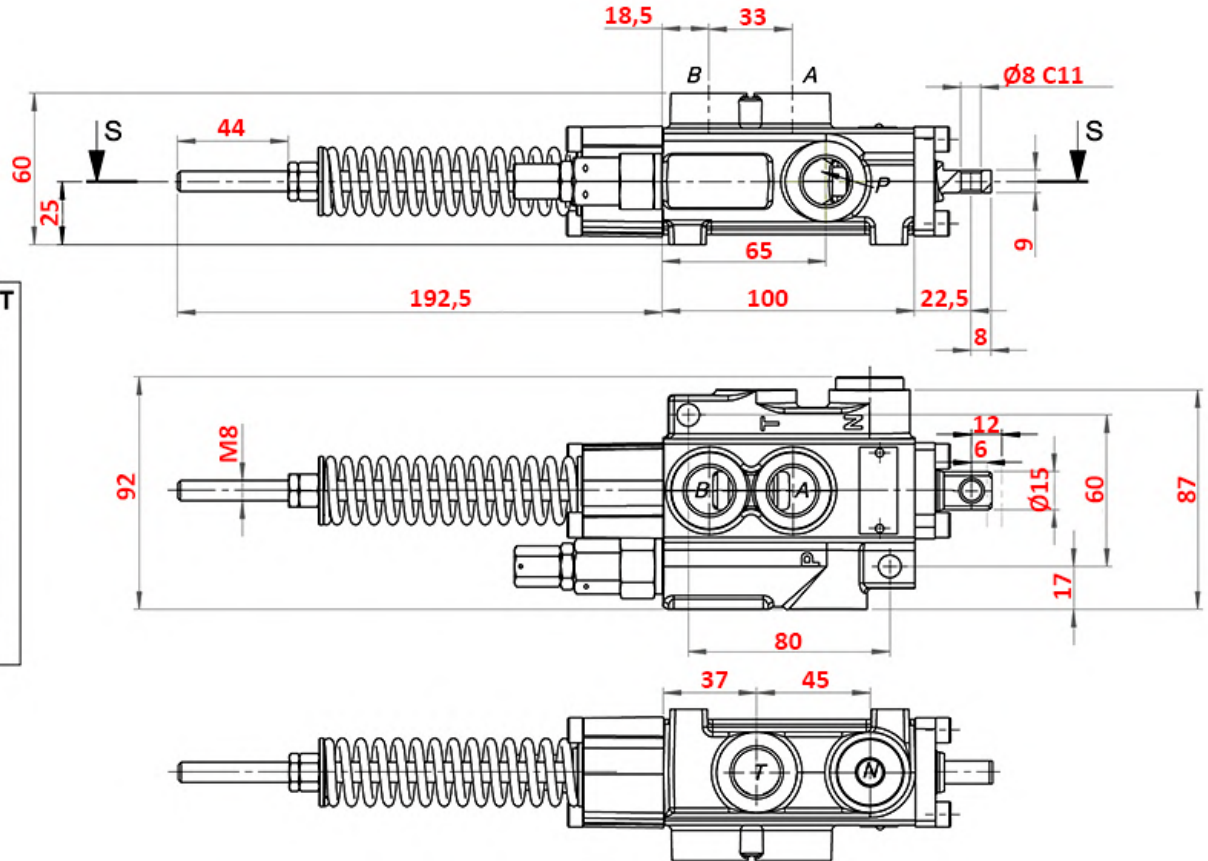


## 13811

## [mm]



Šifra / Code		<b>13811</b>
Nazivni pretok / Nominal flow	[l/min]	40
Max. Tlak "A" "B" / Max. Pressure "A" "B"	[bar]	300
Max. Tlak "P" / Max. Pressure "P"	[bar]	250
Max. Tlak "T" / Max. Pressure "T"	[bar]	50
Navoji "A" "B" / Threads "A" "B"	["]	3/8"
Navoji "P" "T" "N" / Threads "P" "T" "N"	["]	1/2"